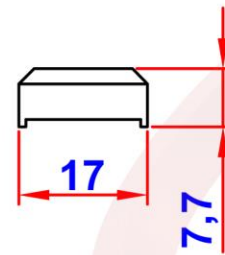
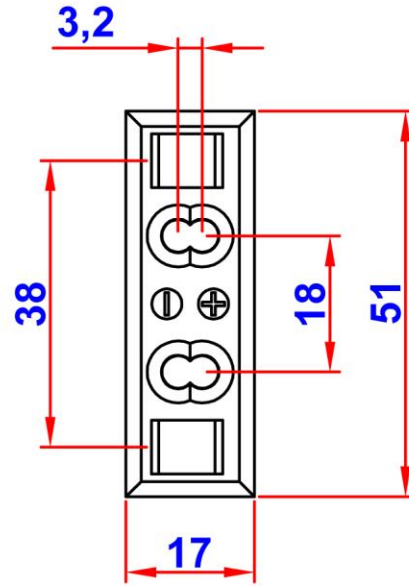
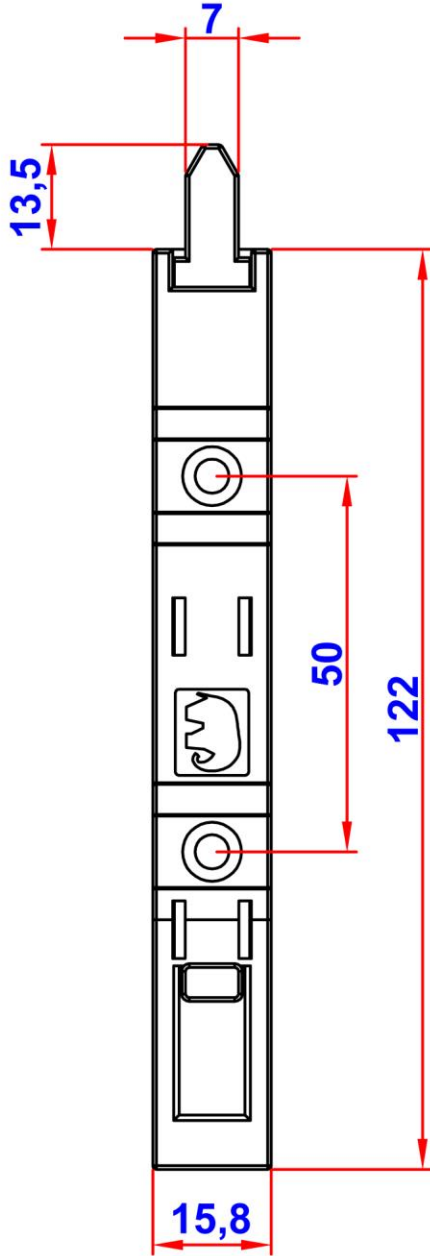


For 16 mm Groove Mullion Profiles  
Material: Reinforced Plastic & Zinc Alloy



Product Weight :  
49 Gr / Qty.



Pcs. / Box :  
100 Pcs.



Box / Pallet  
64 Box (6400 Pcs.)



RAL 9016, RAL 8003, RAL 8017, RAL 8019, RAL 8022, RAL 9001, RAL 9006  
AND OTHER RAL COLORS