



what could be more...



**Universal 3D Setting Hinge  
for PVC Doors**

Specialized in manufacturing of hinges  
**Product Catalogue**

# Universal 3D Setting Hinge



## DESCRIPTION

iQ 3D Adjustable hinge; PVC Door manufacturers are met the high quality expectations with original combined design. Quality class :14 has been identified by quality tests and up to 160 kg can be used seamlessly on doors. Superior material quality and workmanship, durability, wide availability, easy installation settings. Assembly and all adjustments can be made by one person.

- Hinge quality class :14
- Can be used on left or right
- Bearing point maintenance-free
- Supplies a template for easy installation
- High abrasion and UV resistance

## TECHNOLOGY

### Screwing:

- Assembly can be directly to frame and door
- Special fastening screws included in the scope of delivery

### Versions:

- Upstand size 16-19 mm
- Upstand size 19-22 mm
- Upstand size 22-25 mm

### Load Capacity:

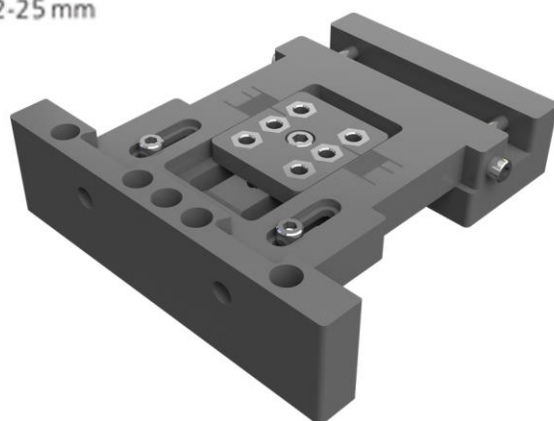
- Depending of profile section design max. 160 kg.

### Adjustability:

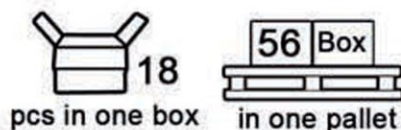
- Without raising or removing the door adjustable in 5 directions
- Horizontal adjustment : - 5 mm, + 10 mm
- Vertical adjustment variable: + 3 mm
- Adjusting sealing pressure : -1,5mm, + 1,5 mm

### Quality:

- 10 years UV resistant Polyester Powder Coating
- Improved corrosion resistance of zinc coating
- Inox pin

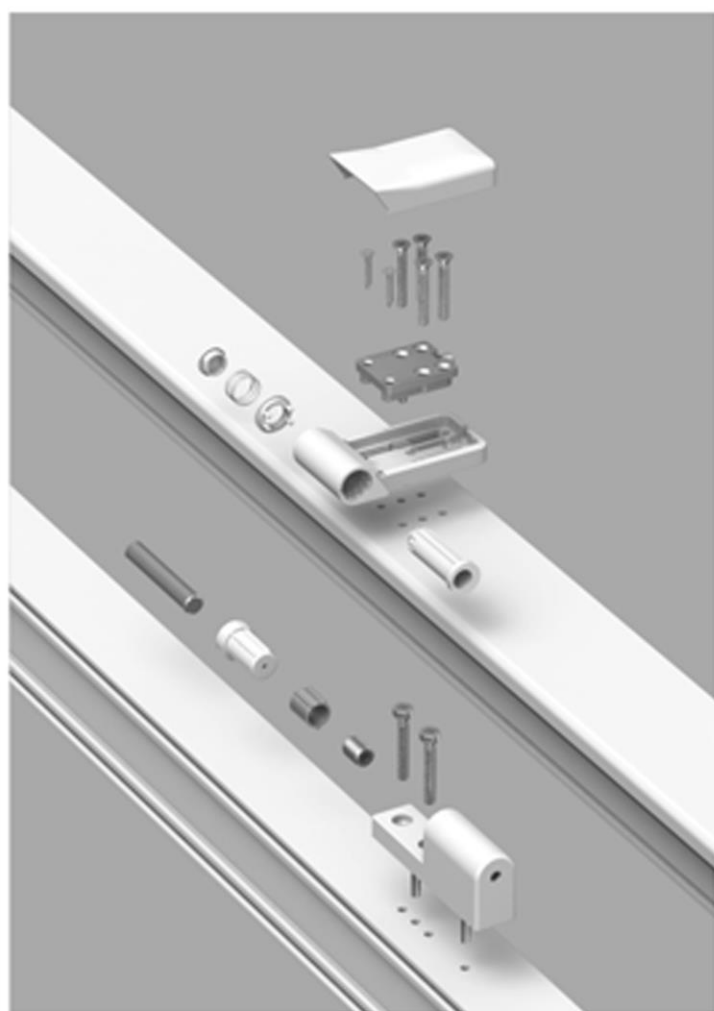
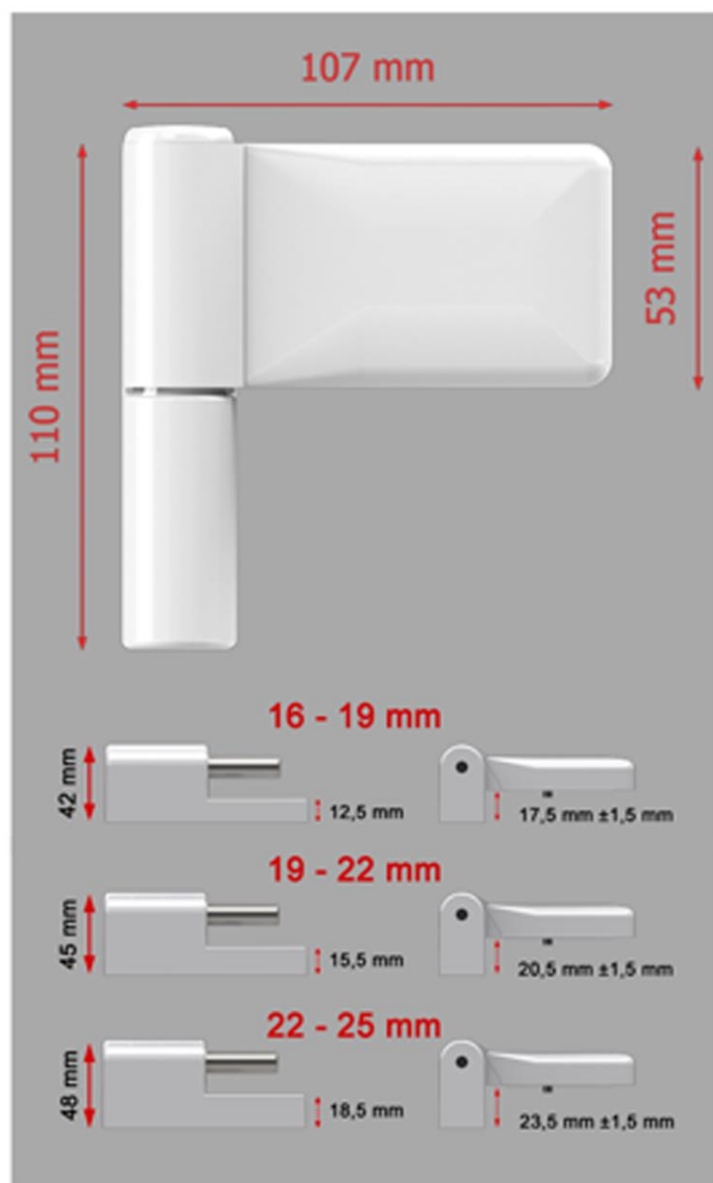


- Main entrance doors
- Side entrance doors
- Interior doors
- Exterior doors
- Entrance doors for flats



EN 1935

4 7 7 0 1 4 0 14



Universal  
3D Setting  
Hinge





İKİTELLİ ORGANİZE SANAYİ BÖLGESİ  
FATİH SANAYİ SİTESİ 4-B BLOK NO: 1-2 34490  
BAŞAKŞEHİR / İSTANBUL

Tel: +90 (212) 485 63 96 +90 (212) 485 55 06

Fax: +90 (212) 485 96 89

E-mail: [info@planet-pvc.com](mailto:info@planet-pvc.com) [planet@planet-pvc.com](mailto:planet@planet-pvc.com)

Web: [www.planet-pvc.com](http://www.planet-pvc.com)



[www.planet-pvc.com](http://www.planet-pvc.com)